

# ADM1-1000SI

Moulded Case Circuit Breaker Isolator

## Application

The moulded case circuit breaker will provide protection for the circuit and equipment in case of overload, short circuit and under voltage condition occurred in the power distribution circuit. Besides, it can also provide protection of overload, short circuit and under voltage for the non-frequent start of motor.



ADM1-1000SI

## Main Technical Data

### Frame size:

IS-ADM1 series moulded case circuit breaker: 225A, 400A, 630A, 800A, 1000A

**Rated operational voltage:**  $U_e$  (VAC): 220/230/240, 380/400/415, 690

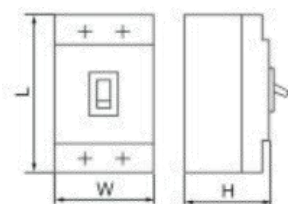
**Number of poles:** 3P

**Release type:** Thermal magnetic fixed type; magnetic fixed type; electronic type.

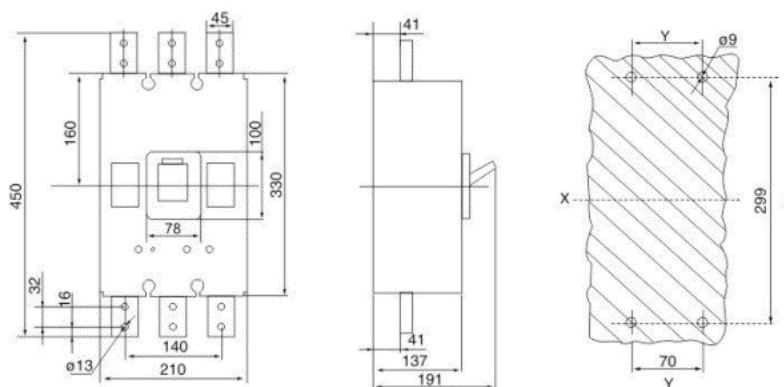
**Installation method:** Fixed type; plug-in type

## Dimensions & Installation(mm)

### Front Connection (3P)



L X W X H: 330 X 210 X 137



### Back Connection (3P)

