

CAM SWITCH AMMETER & VOLTMETER SELECTOR



Application

This series rotary switch mainly applies to 440V and below, AC 50Hz or 240V and below DC circuits. For switch on and off, conversing of circuits under unfrequently manual operation.

It is in conformity with IEC 60947-3, IEC 60947-5-1 standard.



CA-AS-4-10A

Technical Data

Rated Insulation Voltage (Ui V)	690	
Rated Thermal Current (Ith A)	20A	
Rated Working Voltage (Ue V)	24 110 240 440	
Rated Working Current (Ie)		
AC-21A AC-22A	A	20 20
AC-23A	A	15 15
AC-2	A	15 15
AC-3	A	11 11
AC-4	A	3.5 3.5
AC-15	A	5 4
AC-13	A	12 0.4 0.4
Rated Power (P)		
AC-23A	KW	3.7/2.5 7.5/3.7
AC-2	KW	4 7.5
AC-3	KW	3/2.2 5.5/3
AC-4	KW	0.55/0.75 1.5/1.5



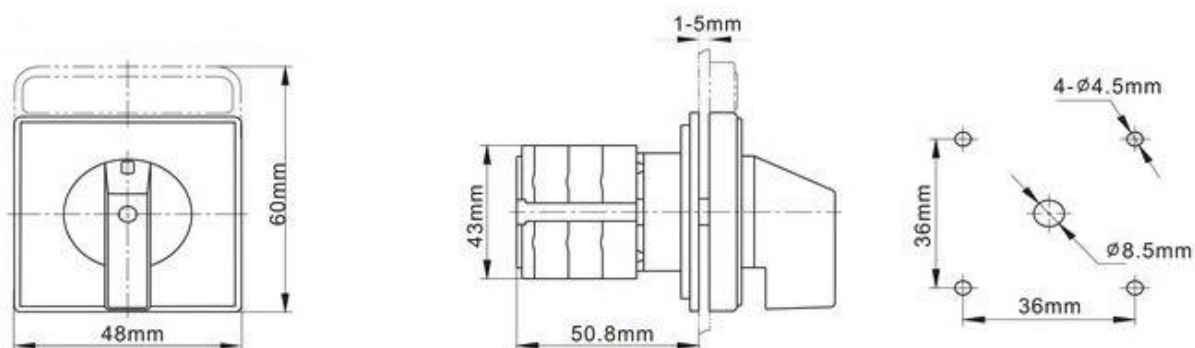
CA-VS-4-10A



CA-VS-7-10A

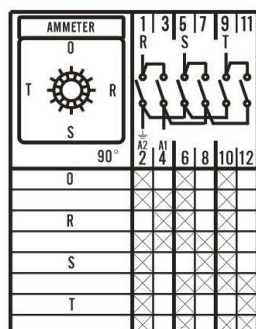


Outline and Dimension



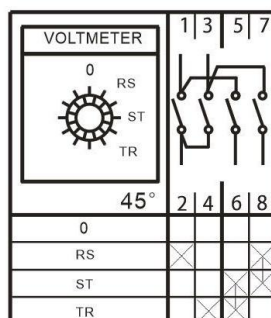
Wiring Diagram

CS-AS-4-10A



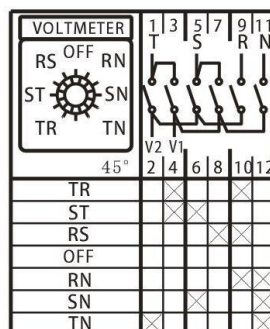
To validate the warranty this product has to be installed by a qualified person.

CS-VS-4-10A



To validate the warranty this product has to be installed by a qualified person.

CS-VS-7-10A



To validate the warranty this product has to be installed by a qualified person.